

RegDest  
ALUSrc  
MemToReg  
RegWrite  
MemRead  
MemWrite  
Branch  
ALUOp

Designer: Jeremy Weatherford,,,

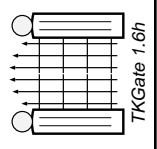
Site: Earth

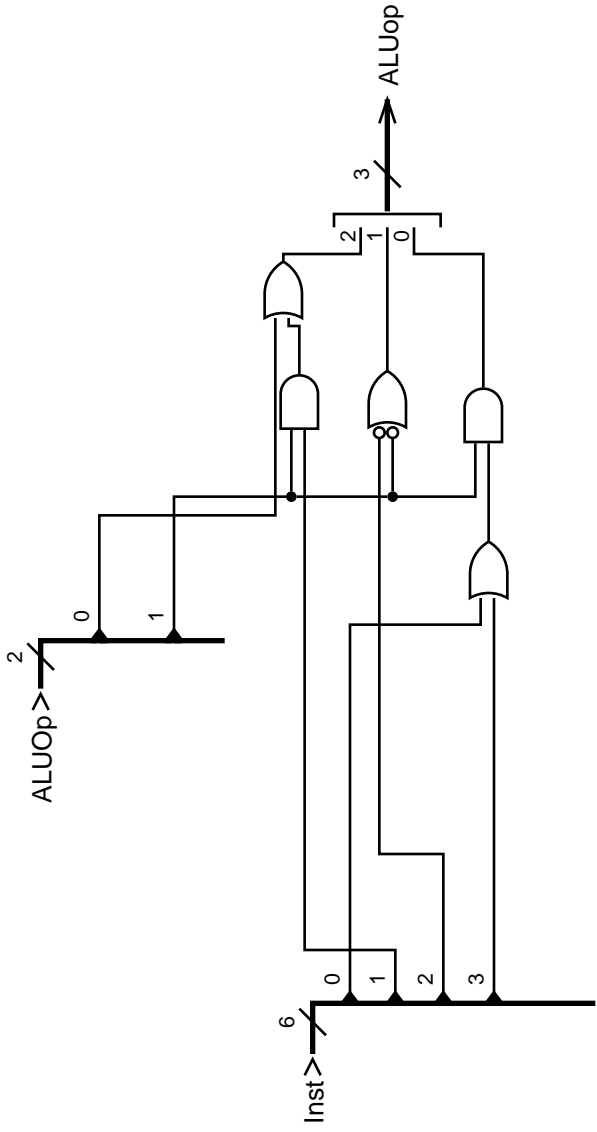
Date: September 8, 2001

Document: MIPS R2000 single-cycle modules

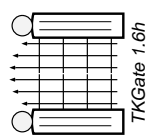
Page: 2 of 3

Module: control





1 = !F2 or !Op1 or Op0



**Designer:** Jeremy Weatherford,,, **Document:** MIPS R2000 single-cycle modules

**Site:** Earth **Page:** 3 of 3

**Date:** September 8, 2001 **Module:** ALU\_control