

Designer: Jeremy Weatherford

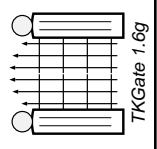
Document: DLXr1

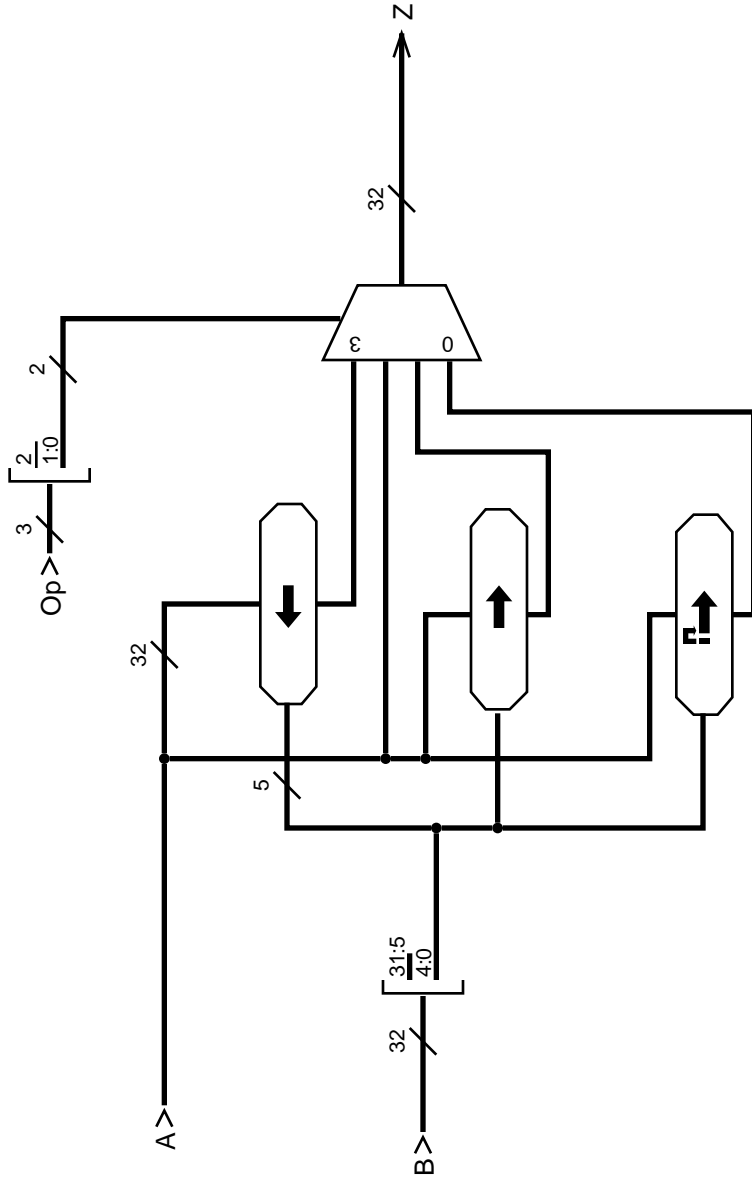
Site: Xidus.Net

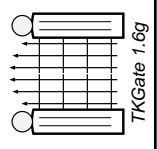
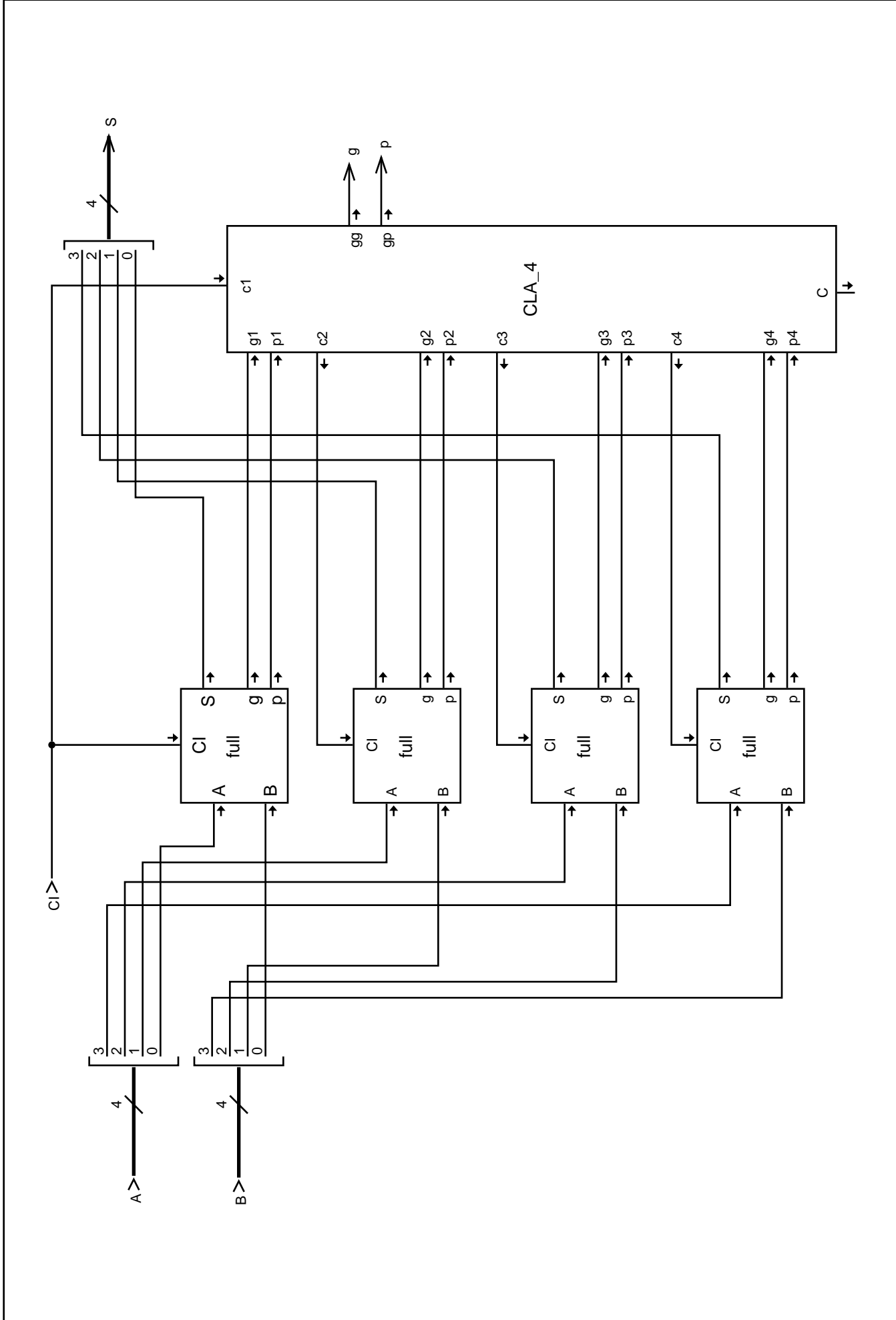
Page: 1 of 13

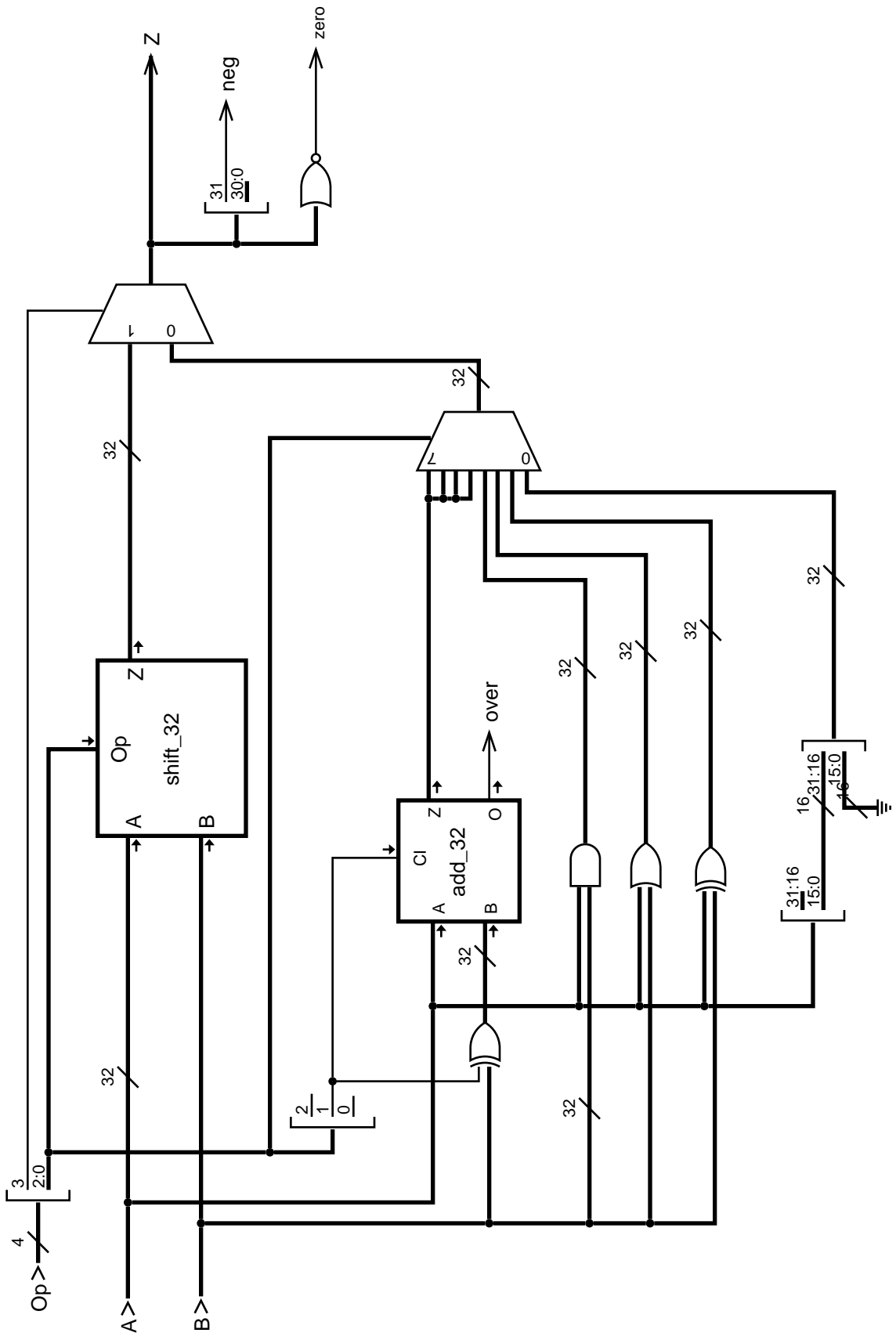
Date: March 2, 2001

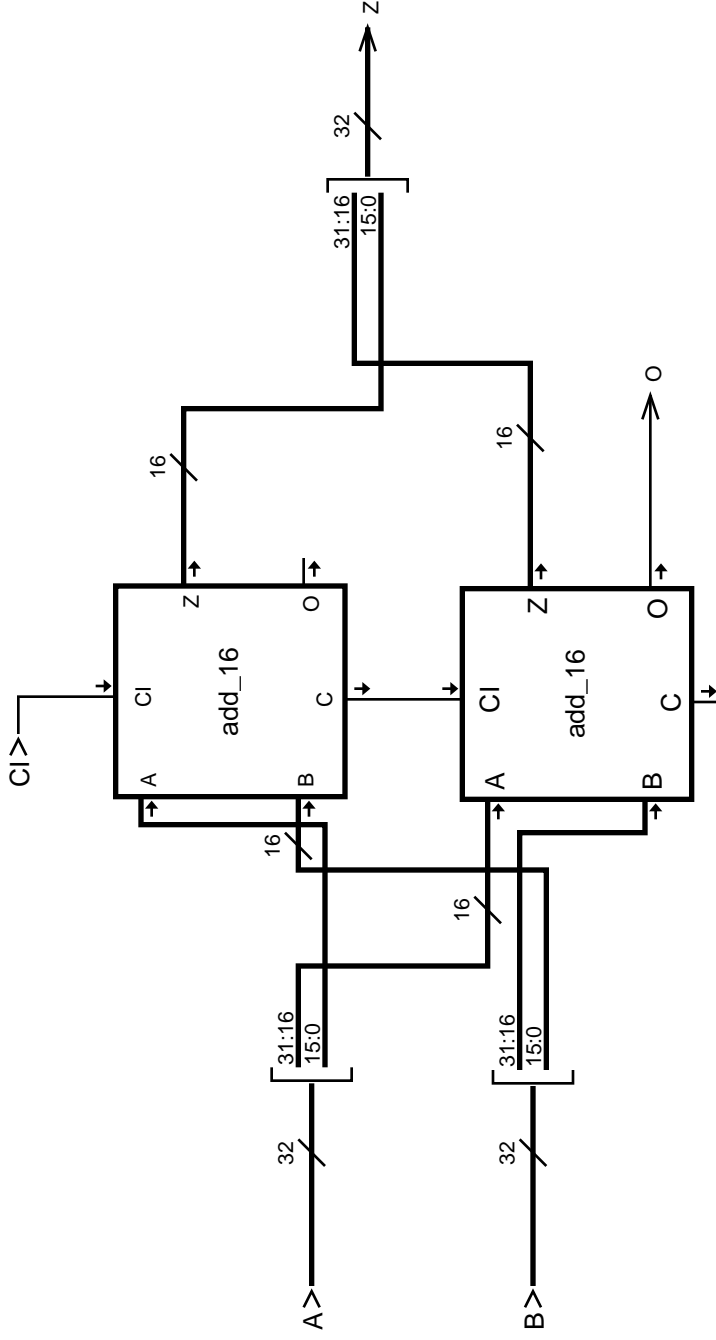
Module: add_16

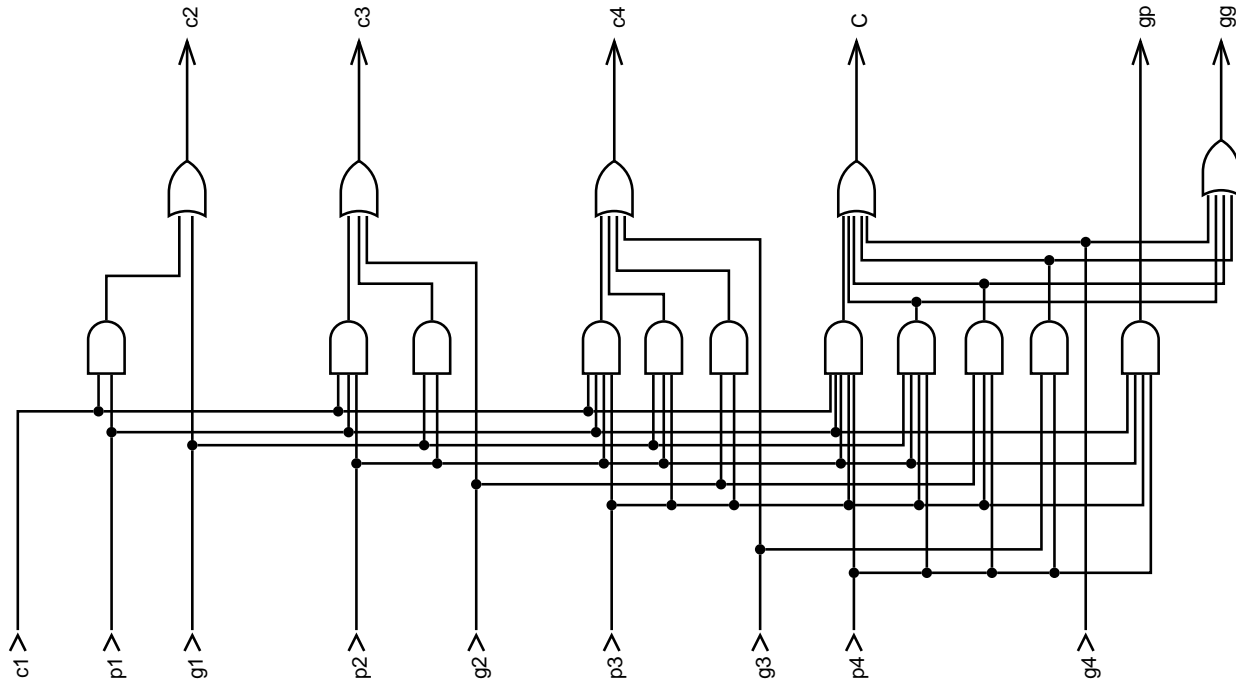


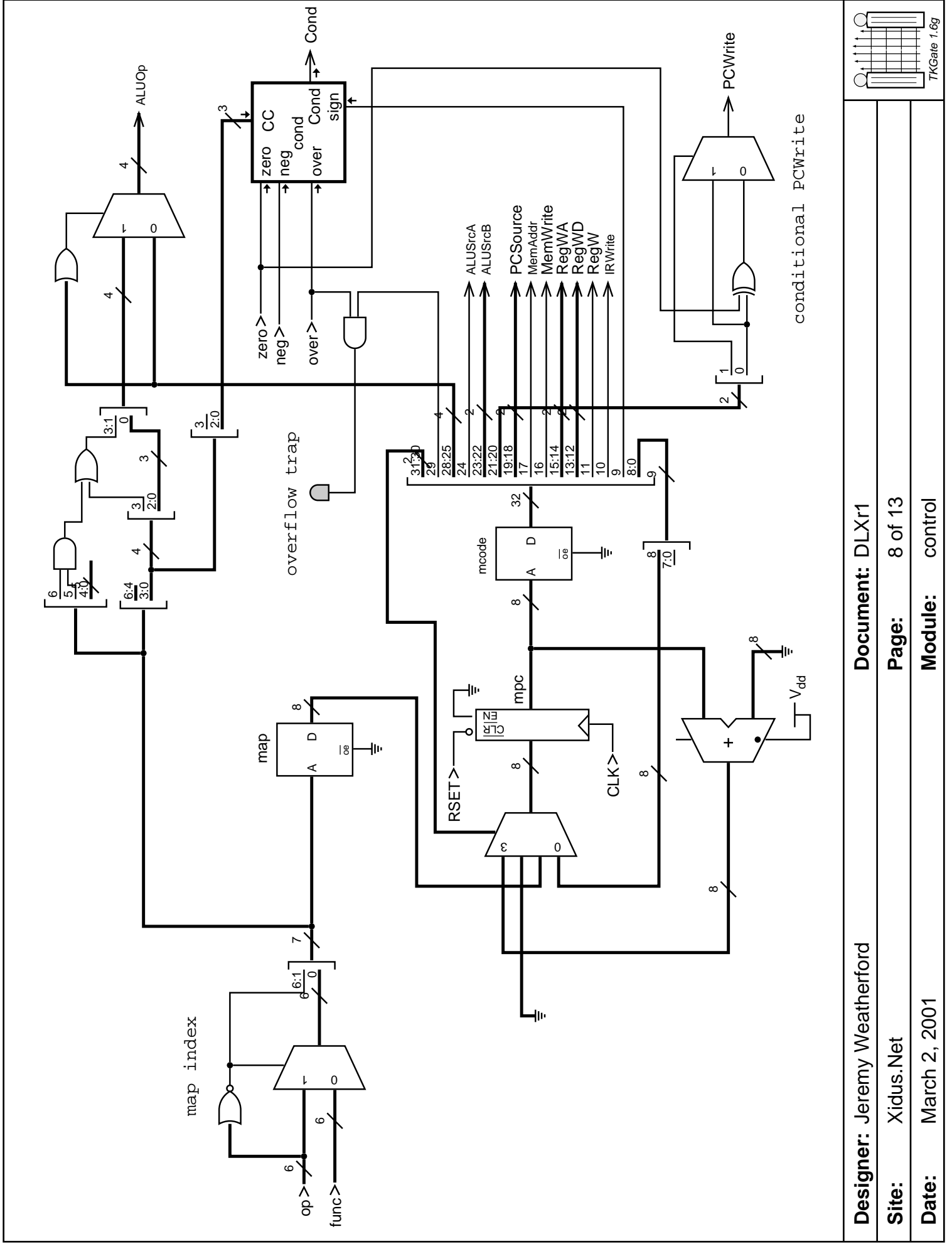


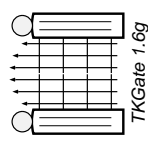
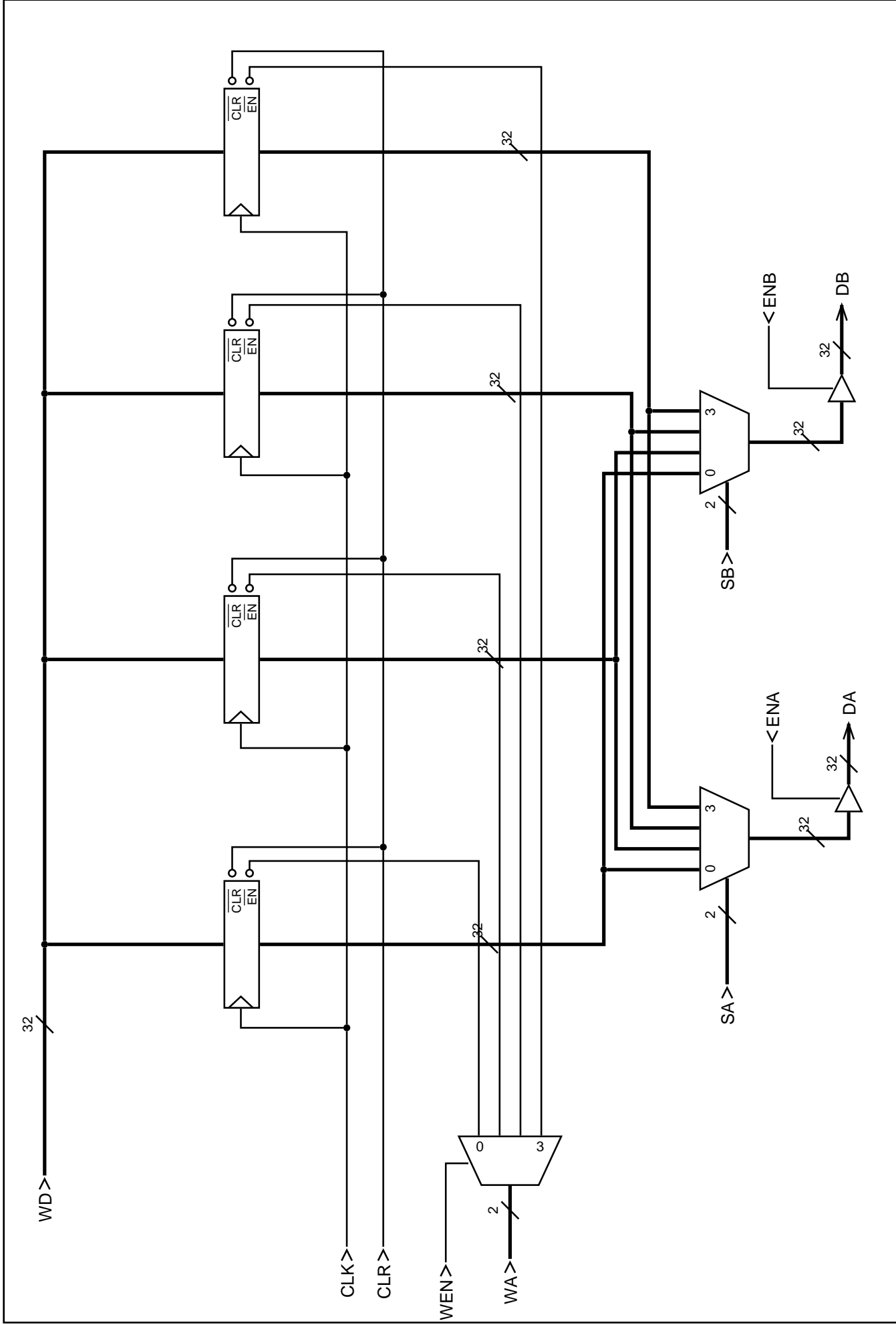


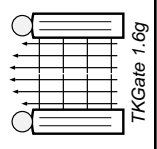
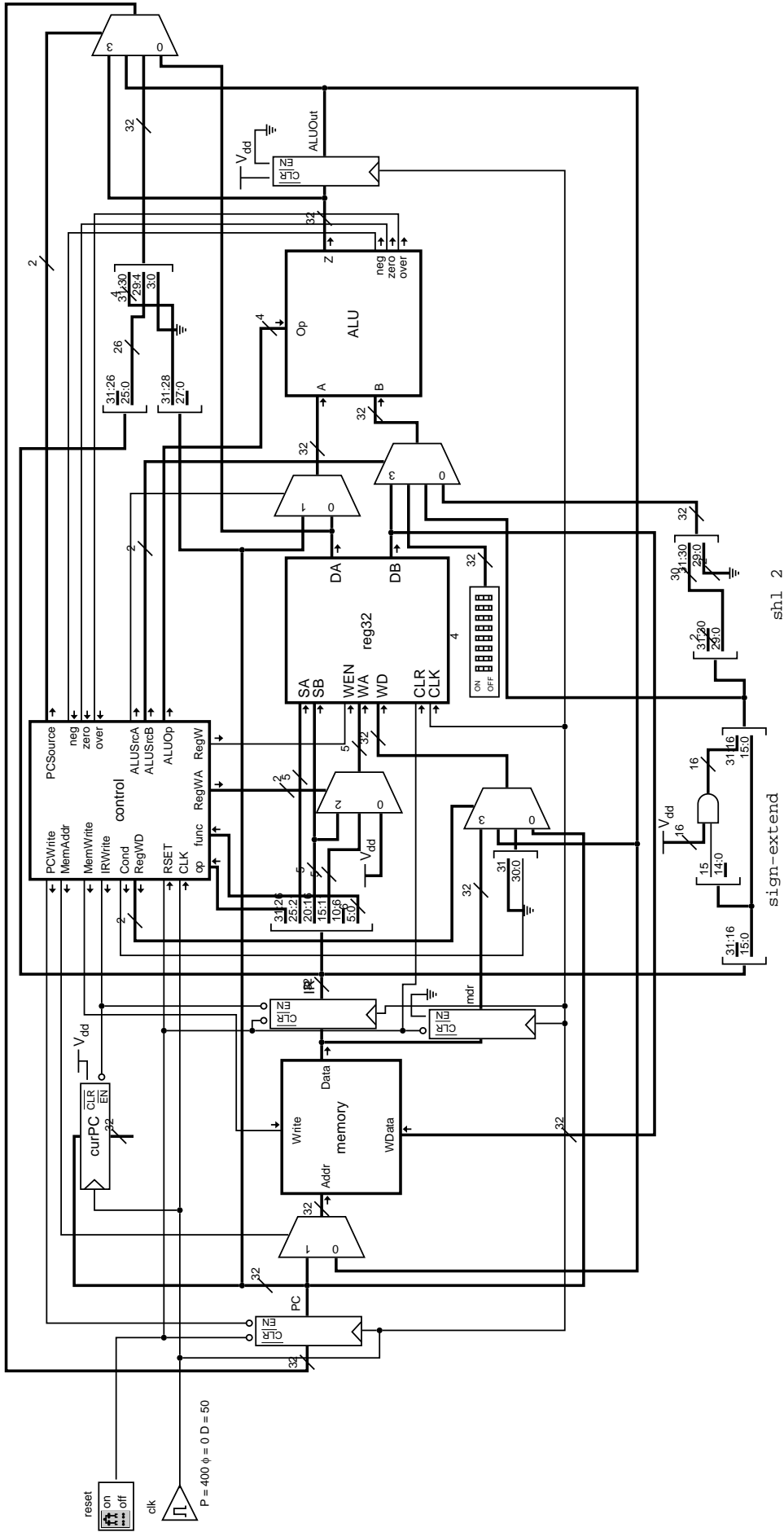


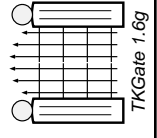
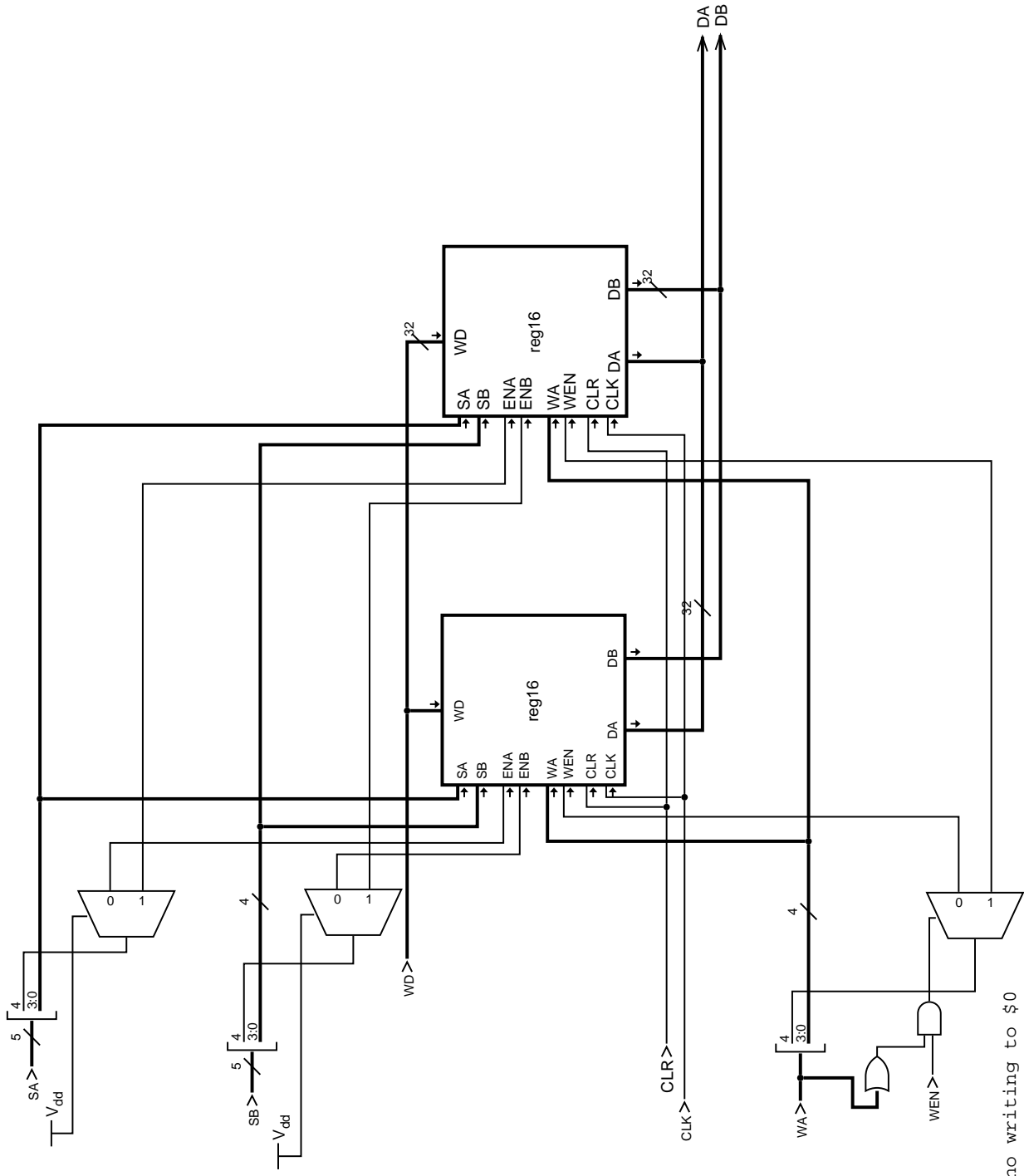


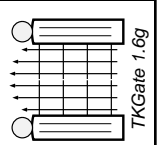
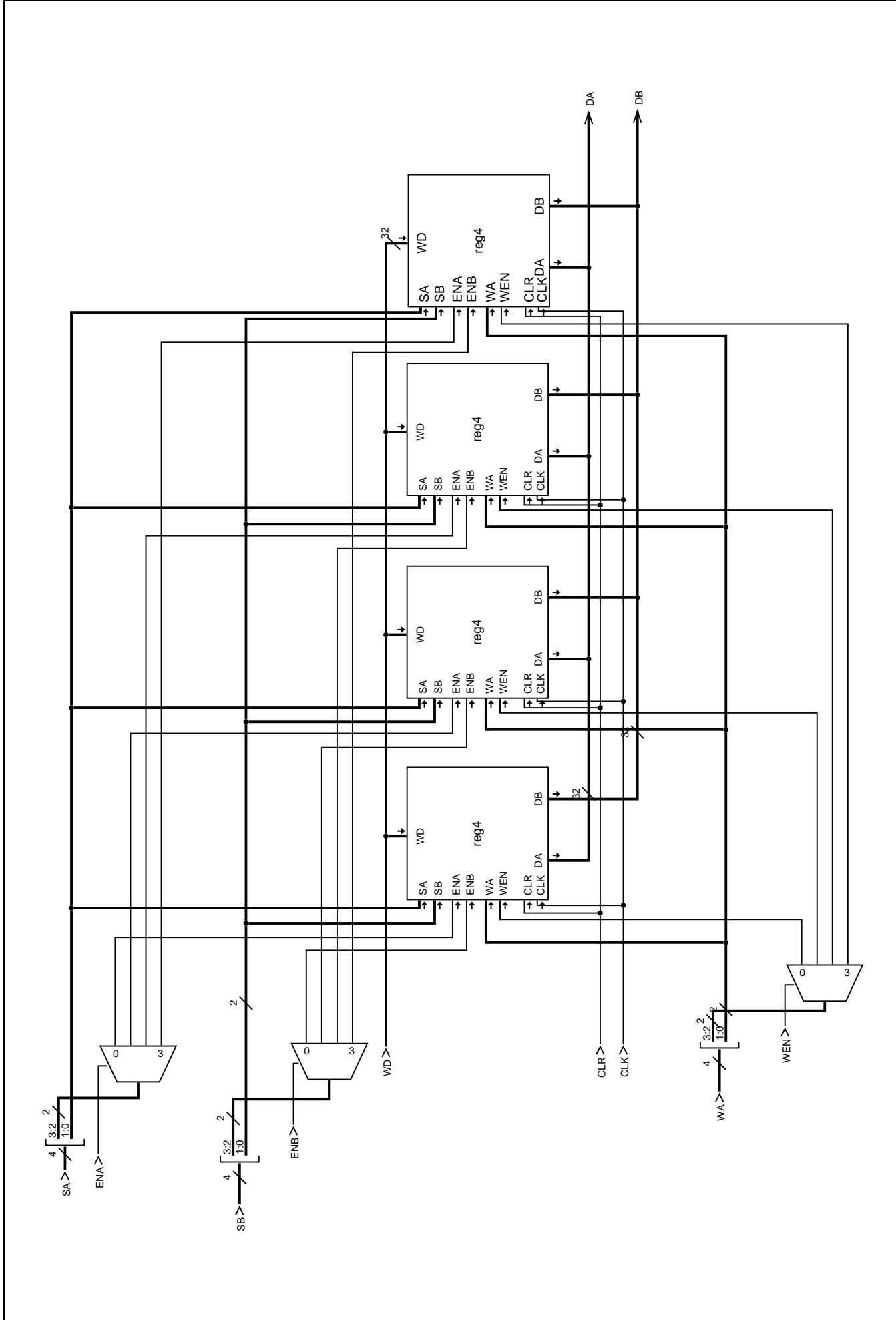


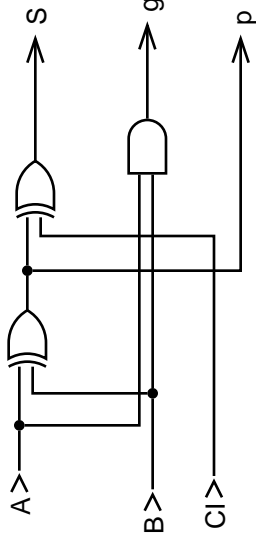
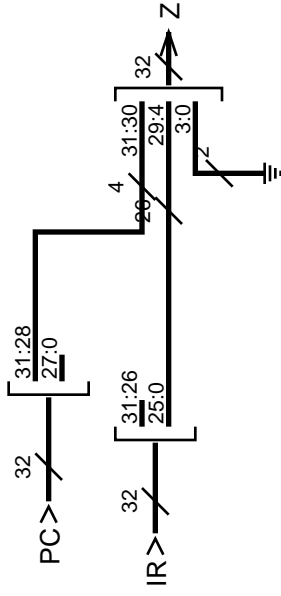






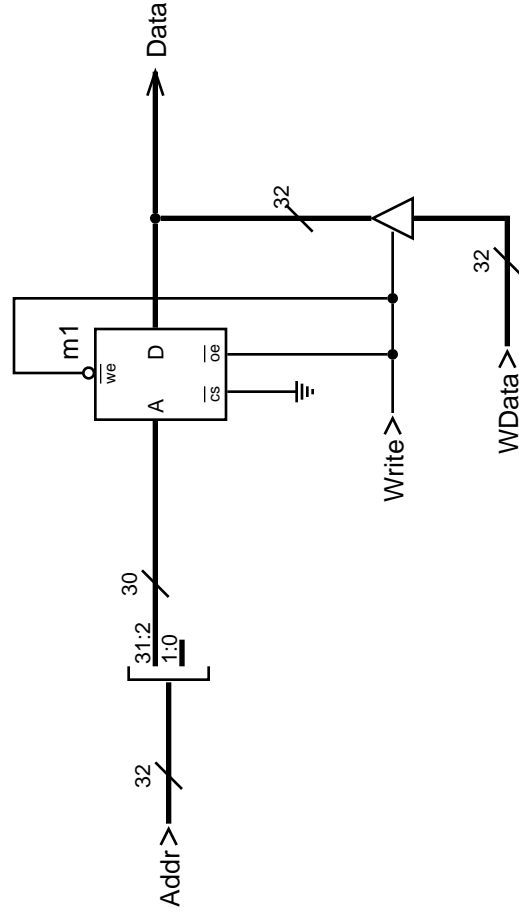






jtarg

full



memory

Designer: Jeremy Weatherford

Document: DLXr1

Site: Xidus.Net

Page: 13 of 13

Date: March 2, 2001

Module: jtarg, full, memory

